

IS-CP4A/B-PB Push Button Call Point

The IS-CP4A-PB and IS-CP4B-PB push button manual call points are approved for Zones 0, 1, 2, 21 & 22 requiring intrinsically safe equipment for the control of fire and gas alarm systems. Available with and without monitoring resistors all versions are certified to ATEX and IECEx standards.

The push button mechanism is protected by a spring loaded cover therefore the switch requires a two-action activation. The product is user resettable by rotating the push button.

The IS-CP4 range features enclosures manufactured from corrosion proof, marine grade, copper free LM6 (A413) aluminium which is phosphated and powder coated.

Specification:

IS-CP4A-PB:	II 1G Ex ia IIC T6 Ga II 2D Ex t IIIC T60°C Db IP66
IS-CP4B-PB:	II 1G Ex ia IIC T4 Ga II 2D Ex t IIIC T70°C Db IP66
Ambient:	Ta = -40°C to +55°C
Ingress protection:	IP66
Housing material:	Marine grade copper free LM6 Aluminium
Housing finish:	Phosphated & powder coated finish: anti-corrosion.
Colour:	RAL3000 Red (others available on request)
Cable entries:	2 x M20 clearance top and 1 x M20 clearance side. Back box can be rotated to give 2 x bottom and 1 x side entries.
Stopping plugs:	2 x nylon plugs as standard Brass and stainless steel plugs optional
Terminals:	6 x 4.0mm ² cables.

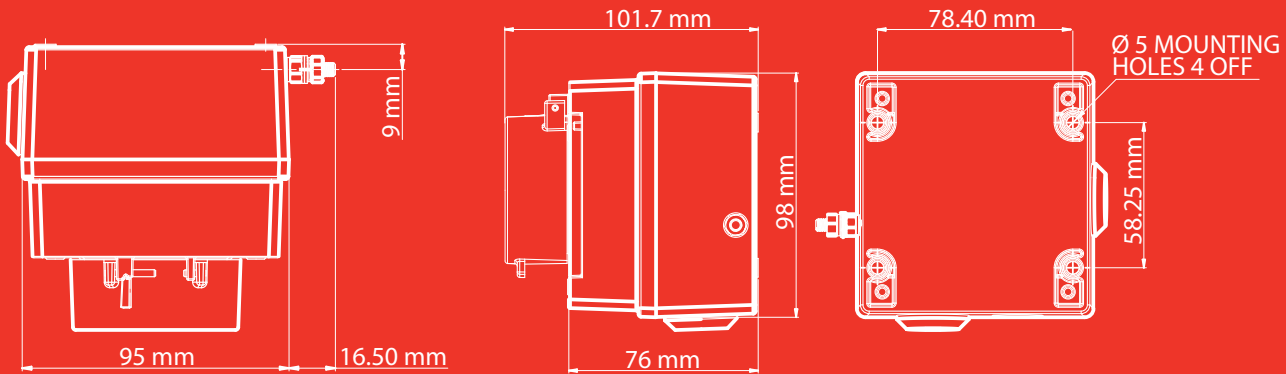
Options:

- Alternative housing colours are available to meet specific requirements.
- DIN rail mounted terminal blocks: 8 x 2.5mm²
- Metalised Polyester "Duty" label.
- Series and/or End of Line resistors.

Approvals:

- ATEX certificate: SIRA 09ATEX2287X, IEC 60079-0:2007 Ed 5, EN 60079-11:2007, EN 60079-26:2007, EN 61241-1:2004
- IECEx certificate: IECEx SIR 09.0122X, IEC 60079-0:2007-10 Edition: 5, IEC 60079-11:2006 Edition: 5, IEC 60079-26:2006 Edition: 2, IEC 61241-1:2004 Edition: 1





Versions:

Version:	Category:	Input Parameters:	Monitoring Resistors:	Terminals:	Cable entries:	Weight:
IS-CP4A-PB	II 1G Ex ia IIC T6 Ga	$U_i = 30V$	N	$6 \times 4mm^2$	2 x M20 Top/Bottom	0.8Kg
	II 2D Ex t IIIC T60°C Db	$I_i = 500mA$			1 x M20 Left/Right	
	IP66	$P_i = 1.1W$				
	$T_a = -40^\circ C$ to $+55^\circ C$	$C_i = 0$				
		$L_i = 0$				
IS-CP4B-PB	II 1G Ex ia IIC T4 Ga	$U_i = 30V$	Y	$6 \times 4mm^2$ or	2 x M20 Top/Bottom	0.8Kg
	II 2D Ex t IIIC T70°C Db	$I_i = 500mA$		$8 \times 2.5mm^2$	1 x M20 Left/Right	
	IP66	$P_i = 1.1W$		DIN rail		
	$T_a = -40^\circ C$ to $+55^\circ C$	$C_i = 0$				
		$L_i = 0$				

Part Codes:

Type:	Terminals:	Duty Label:	Colour:	E.O.L Resistor:	Series Resistor:
IS-CP4A-PB	ST	NL	RD	ExxxR	SxxxR
IS-CP4B-PB	DR	DL			

ST: Standard
 DR: DIN rail
 'DR' option
 only on IS-CP4B
 version

NL: No label (std)
 DL: Duty Label
 Specify content
 when ordering.

RD: Red (std)
 Contact sales
 for other
 colour options

xxx: Res. value
 e.g.: E470R
 Only available on
 IS-CP4B version

xxx: Res. value
 e.g.: S2K2R
 Only available on
 IS-CP4B version

e.g. IS-CP4A-PB-ST-NL-RD

: IS-CP4A Push Button call point with standard terminals and no duty label. Red housing

e.g. IS-CP4B-PB-DR-NL-RD-24V-E470R

: IS-CP4B Push Button call point with DIN rail terminals, no duty label, 24V supply voltage
 with a 470 Ohm end of line resistor. Red housing.